



Xcluder™ Pest Control Dock Leveler Seal Kit

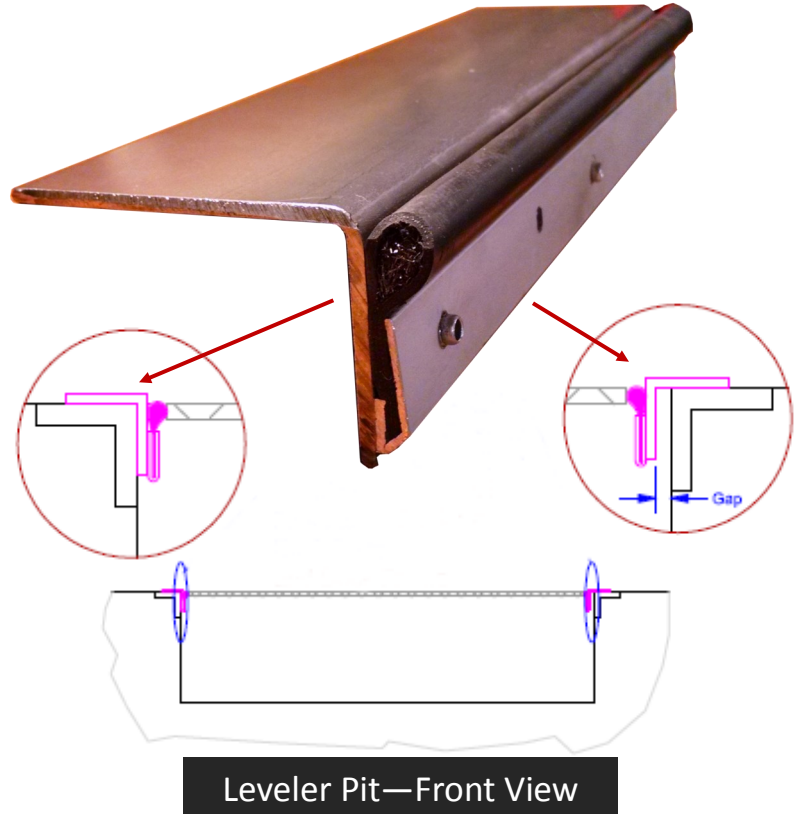
Rodent Proof Dock Leveler Seals

Ideal for: Food Processing Facilities □ **Storage and Warehouse Facilities** □ **Food Distribution Centers** □ **Grocery Stores** □ **Pet Stores** □ **Supercenters** □ **Any location that requires reduced or eliminated chemical pest control**

Unprotected dock levelers are an open door for rodents and other pests.

Xcluder® Pest Control Dock Leveler seals feature our patented Xcluder™ fill fabric providing a barrier that is virtually impenetrable to rodents and other pests. The reinforced neoprene rubber provides a durable weatherseal that can pay for itself in energy savings.

Xcluder® Pest Control Dock Leveler are easy to install and fit most common leveler sizes and types.



*For complete protection of the facility, we recommend **Xcluder™ Door Bottom Seals** and **Xcluder™ Door Sweeps** for all dock and access doors.*

Features

- ◆ Fits most common leveler sizes
- ◆ Side seals:
 - ◆ Durable neoprene outer with Xcluder™ filling
 - ◆ Steel retainer
 - ◆ Keeps pests out while providing a reliable weatherseal
- ◆ Hinge Seal (optional):
 - ◆ Solid steel construction
 - ◆ Stands up to forklift traffic

Specifications

- ◆ Fits levelers up to 84" long. Custom kits available for larger levelers. Call for details.
- ◆ Kit includes:
 - ◆ Two (2) 84" side seals
 - ◆ Side seal mounting hardware
- ◆ Hinge Seal (Optional) - Not required for levelers with continuous or "piano" style hinges

Note: Hinge seal installation requires welding.

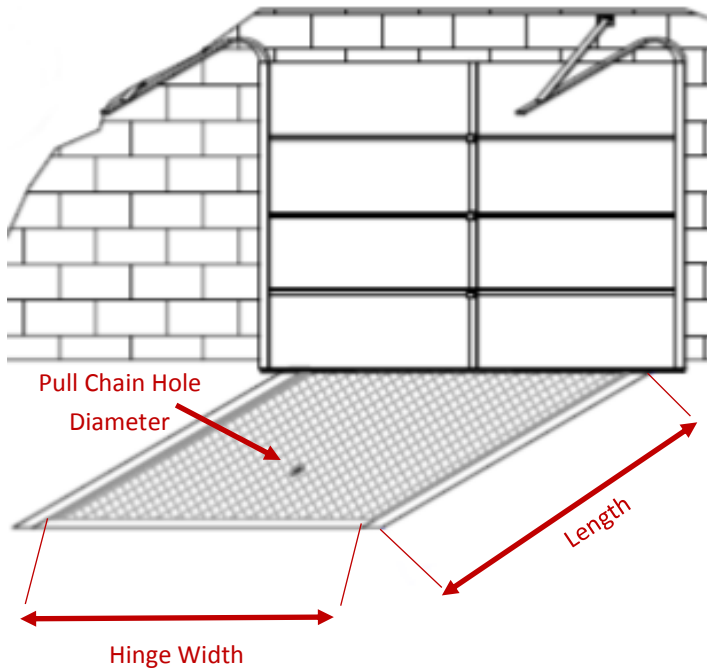


Xcluder™ Pest Control Dock Leveler Seal Kit

Parts and Accessories

Item	Description
162680	Xcluder™ Dock Leveler Seal Kit. Includes two 84" side seals
162672	Hinge Seal Kit— One hinge seal suitable for levelers up to 84" wide
162676	1.75" Pull Chain Seal
162677	2.0" Pull Chain Seal
162678	2.5" Pull Chain seal

Measuring



Pull Chain Seal

