



Xcluder® X-Plate Installation Instructions

What you will receive:

(1) Adjustable Metal Escutcheon Plate (4 pieces), (2) Caps, (2) Anchors, (2) Screws, (1) Gasket Strip (Fill Fabric)
X-Plate is designed to cover pipes with a diameter ranging from 1/2" - 3".

Required Tools:

Safety glasses, safety gloves, ratchet screwdriver or drill with Phillips head.

Optional equipment: Cutting tool (hacksaw, grinder or equivalent), Liquid Nails (or equivalent), Sealant (if installing over a rough surface)



X-Plate can be cut to accommodate counter tops or other obstacles. Cut anywhere between the corner and line marked on each Front Section piece. **Do not** cut from the line towards the pipe, this will prevent the X-Plate from working.

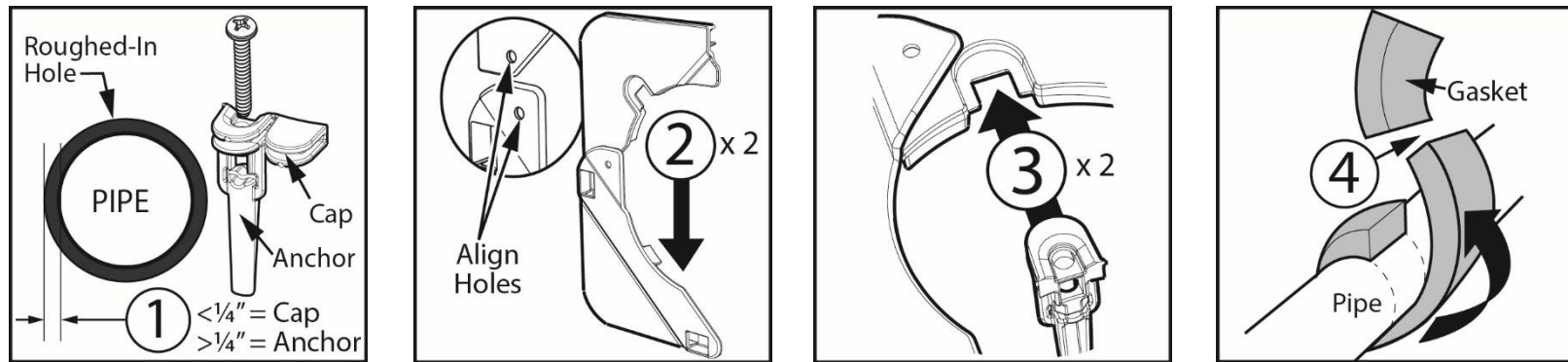
Assembled X-Plate →



For pipes mounted closely together, two X-Plates can be installed provided there is at least a 1" gap between the pipes. Both X-Plates can be cut to fit alongside one another using the guidelines below.

Installing X-Plate.

1. Depending on gap distance between the pipe and the wall, select the Caps or Anchors for installation. **Note:** install Caps if gap is 1/4" or less, install Anchors if gap is greater than 1/4".
2. Create two halves each, using one Front Section and one Back Section. Match Alignment Holes and slide together.
3. Insert Caps or Anchors into square slots.
4. For insect and thermal barrier wrap Xcluder Fill Fabric gasket around the pipe, cut to fit.



5. If using Caps, apply Liquid Nails or equivalent adhesive to the back of the back tabs to affix the X-Plate to the wall.
6. Slide the two halves together around the pipe and Fill Fabric gasket. **Note:** X-Plate should compress the Fill Fabric gasket.
7. Once around pipe, slide to the wall.
8. If using Anchors, tighten anchor screws.

Optional: Use a sealant or caulk to seal around X-Plate and wall.

Installation of the X-Plate is complete.

