



Xcluder® Pull Chain Seal for Dock Levelers

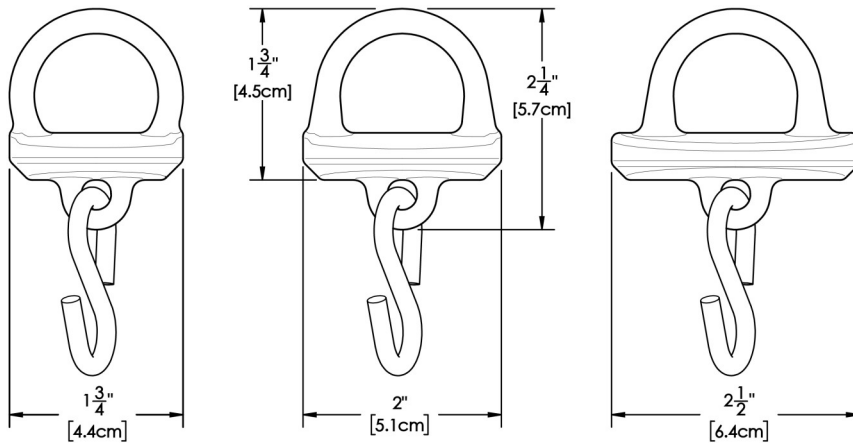
Rodent Proof Pull Chain Seals

Ideal for: Food Processing Facilities Storage and Warehouse Facilities Food Distribution Centers Grocery Stores Pet Stores Supercenters Any location that requires reduced or eliminated chemical pest control

Often overlooked and left unprotected, the opening for the pull chain on dock levelers is an ideal entry point for mice and rats. The chain provides a built-in ladder for pests and the chain opening is big enough for rats or mice to squeeze through.

Xcluder pull chain seals feature solid cast aluminum construction, are easy to install, and completely cover the chain opening providing dependable protection against mice and rats.

The seals are designed to sit completely below the surface of the dock plate and will not interfere with material handling equipment.



For complete protection of the facility, we recommend Xcluder® Door Bottom Seals, Door Sweeps, and Dock Leveler Seals for all dock and access doors.

Features

- ◆ 3 sizes to ensure correct fit
- ◆ Cast aluminum construction
- ◆ Made in USA

Item #	Xcluder Chain Pull Seals
162676	1.75" diameter Chain Pull seal
162677	2.0" diameter Chain Pull seal
162678	2.5" diameter Chain Pull seal